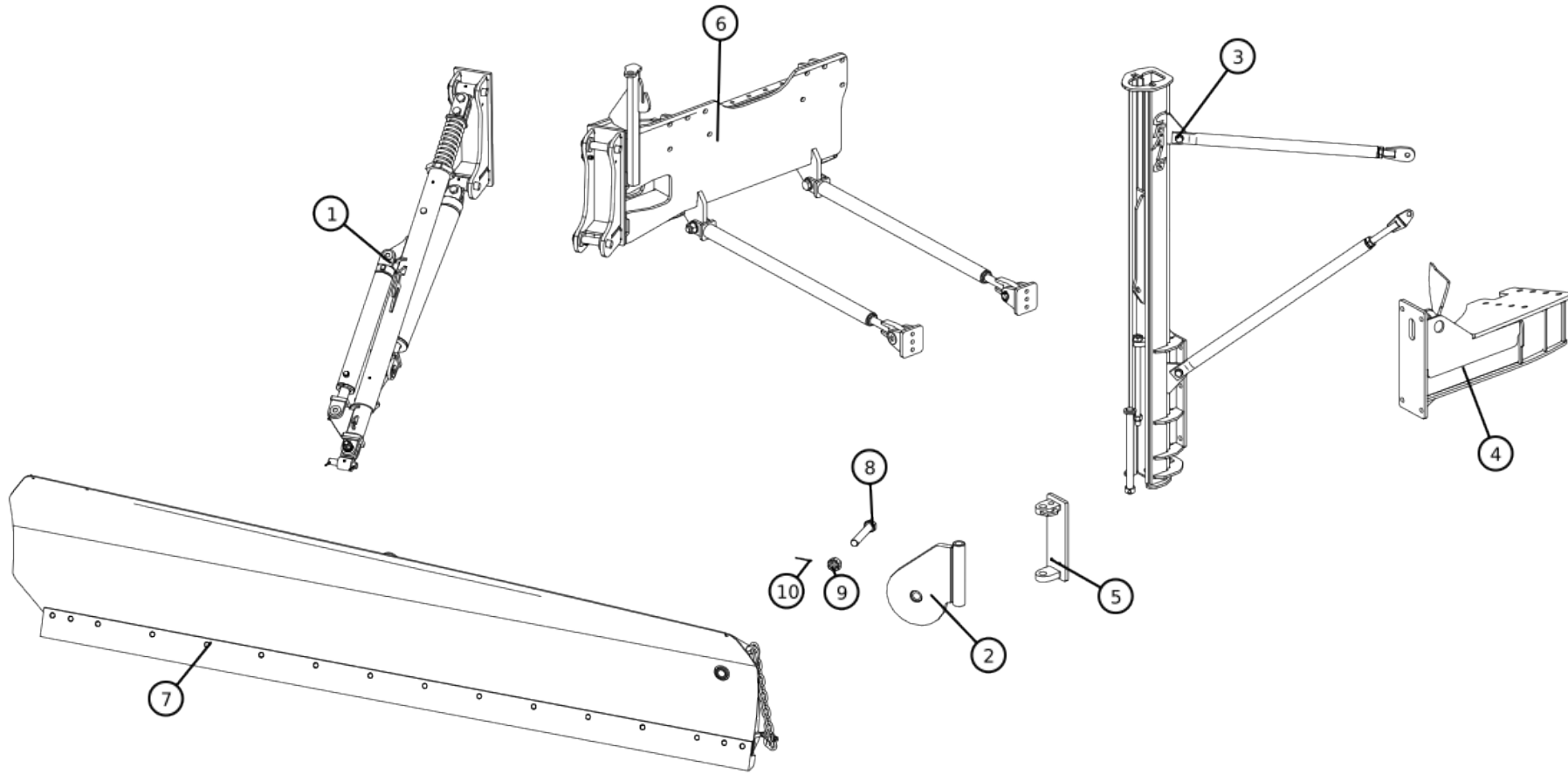

493091-00

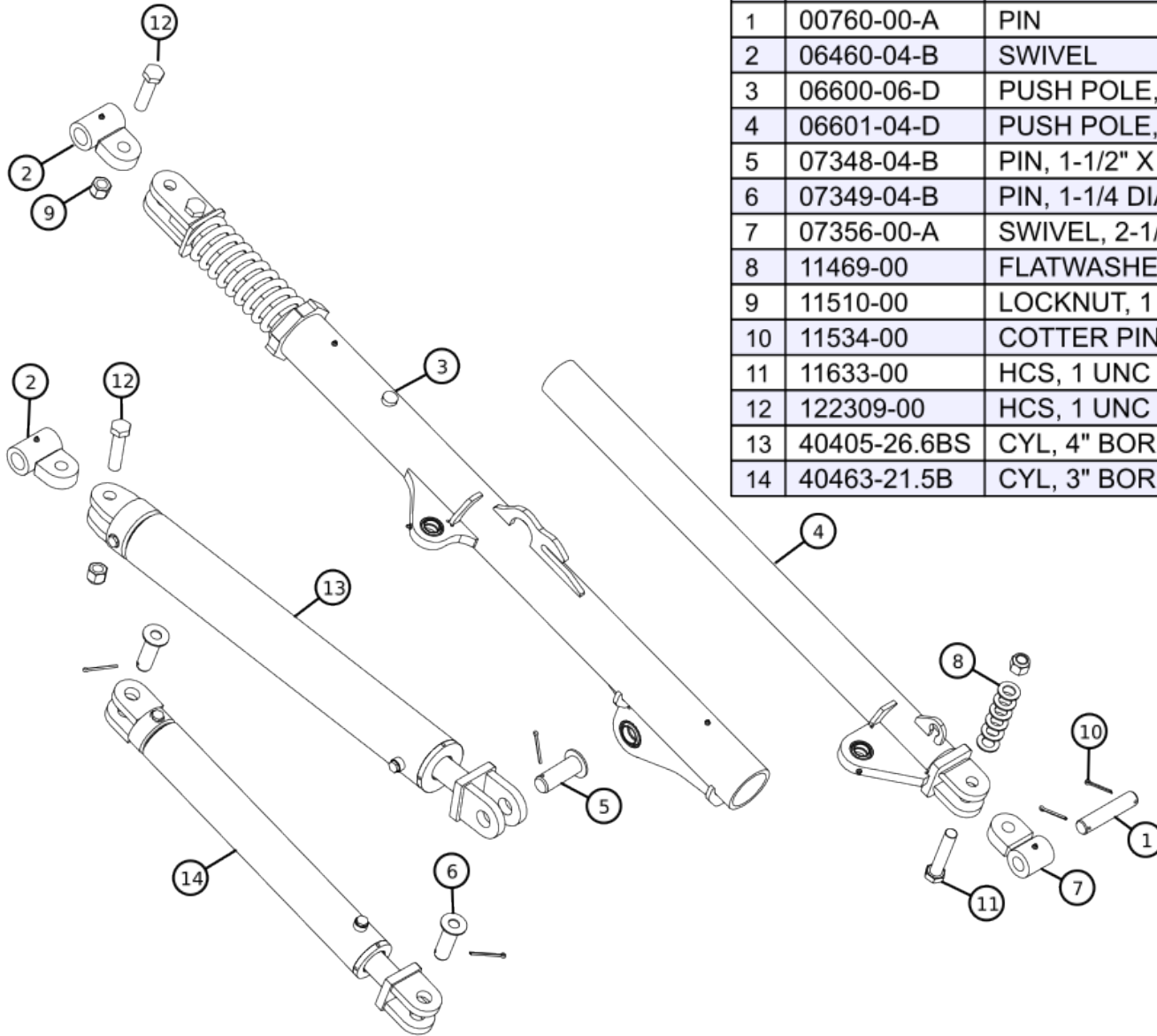
Table of Contents

| Book Page | Page Number |
|------------|-------------|
| 493091-00 | 2 |
| 06450-12-D | 4 |
| 06600-06-D | 6 |
| 155723-00 | 8 |
| 06601-04-D | 10 |
| 131377-00 | 12 |
| 396549-01 | 14 |
| 410068-00 | 17 |

| BOM ID | PartNo | Description | Qty |
|--------|------------|--------------------------------|-----|
| 1 | 06450-12-D | 301 MASTER/GRADERS (STD) | 1 |
| 2 | 10050-02-B | SWIVEL BELL, FOR 251 & | 1 |
| 3 | 131377-00 | 261-48 FP ASSY/DEEREG/G-SERIES | 1 |
| 4 | 131704-00 | FPB/DEEREG/G-SERIES | 1 |
| 5 | 17508-00-B | SLIDE WELD, LOWER, 261 PARTS | 1 |
| 6 | 396549-01 | RPB/DEEREG/G, GP (301-4PT) | 1 |
| 7 | 410068-00 | 201-13HD/2,4,6,12... (NI-HARD) | 1 |
| 8 | 00702-00-B | HCS, 1-1/2 UNC X 8 | 1 |
| 9 | 00705-00 | NUT, 1-1/2 UNC GR5 SLOTTED | 1 |
| 10 | 11550-00 | COTTER PIN, 1/4 X 3 | 1 |



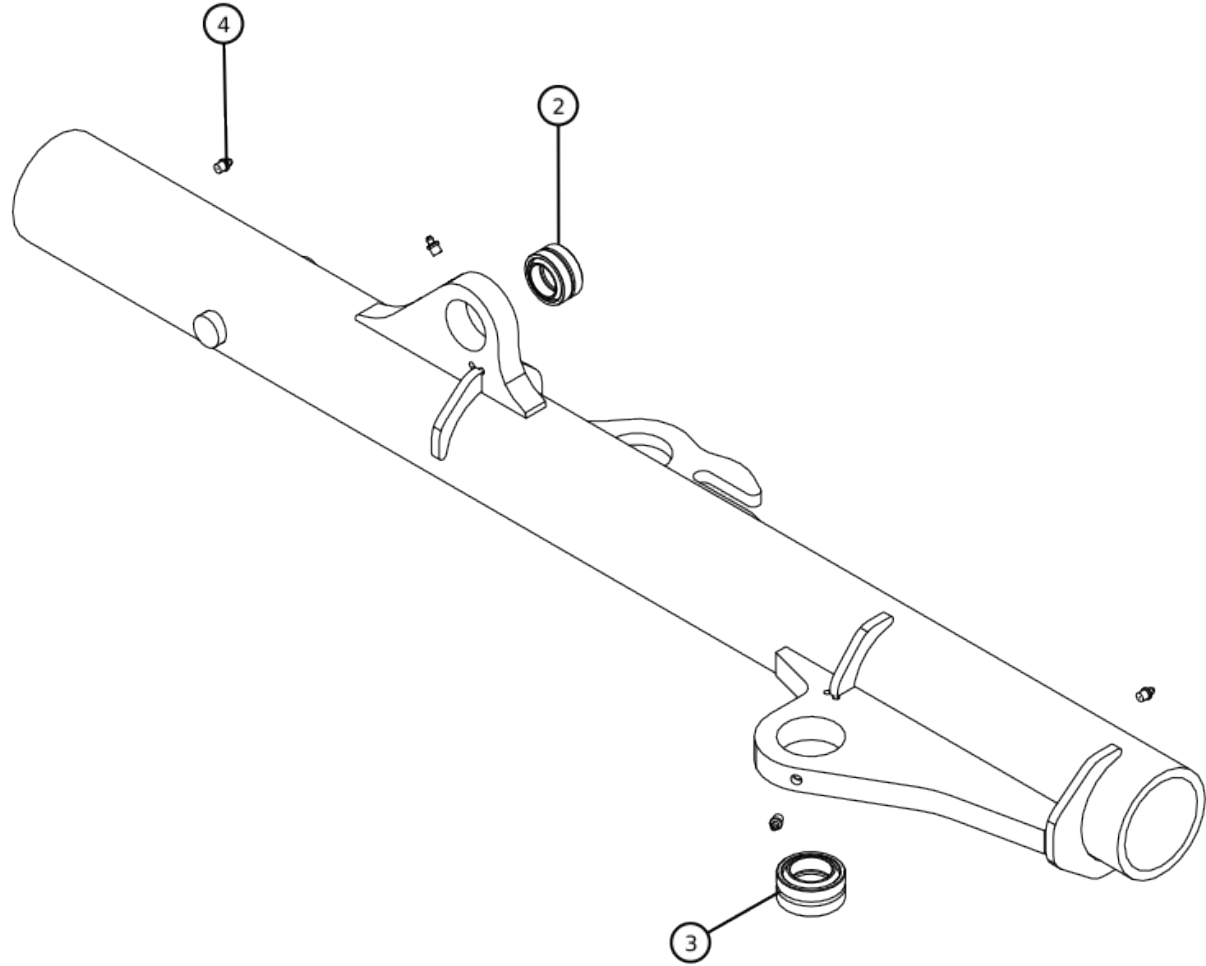
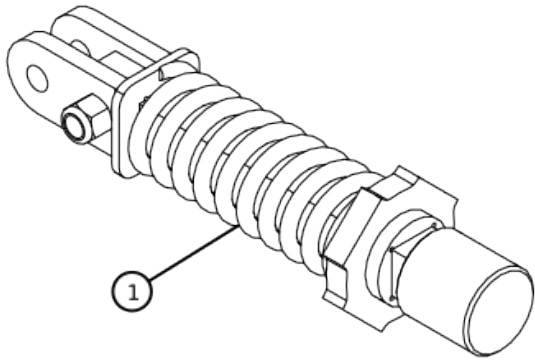
| Pos | SKU | Description | Qty |
|-----------|------------|---|-----|
| 493091-00 | 493091-00 | 301-13RM261-48/DEEREG/G, GP 3SP-NI-HARD-4PT-LESS WAK | 1 |
| 2 | 10050-02-B | SWIVEL BELL, FOR 251 & SOLID PLATE DESIGN | 1 |
| 4 | 131704-00 | FPB/DEEREG/G-SERIES STD FPB - POST @ 0° | 1 |
| 5 | 17508-00-B | SLIDE WELD, LOWER, 261 PARTS SALES ONLY C/W CHAIN LUG | 1 |
| 8 | 00702-00-B | HCS, 1-1/2 UNC X 8 DRILLED | 1 |
| 9 | 00705-00 | NUT, 1-1/2 UNC GR5 SLOTTED | 1 |
| 10 | 11550-00 | COTTER PIN, 1/4 X 3 | 1 |



| ID | Part Number | Description | Qty |
|----|--------------|--------------------------------|-----|
| 1 | 00760-00-A | PIN | 1 |
| 2 | 06460-04-B | SWIVEL | 2 |
| 3 | 06600-06-D | PUSH POLE, OUTER TUBE ASSEMBL | 1 |
| 4 | 06601-04-D | PUSH POLE, INNER TUBE WELDMENT | 1 |
| 5 | 07348-04-B | PIN, 1-1/2" X 4" LONG | 1 |
| 6 | 07349-04-B | PIN, 1-1/4 DIA X 4 LONG | 2 |
| 7 | 07356-00-A | SWIVEL, 2-1/2 OD X 1-9/32 ID | 1 |
| 8 | 11469-00 | FLATWASHER, 1", GR.8 (YZ) | 6 |
| 9 | 11510-00 | LOCKNUT, 1 UNC/NYL/20B/GR2 | 3 |
| 10 | 11534-00 | COTTER PIN, 1/4 X 2-1/2 | 5 |
| 11 | 11633-00 | HCS, 1 UNC X 5, GR 5 12 B | 1 |
| 12 | 122309-00 | HCS, 1 UNC X 4, GR 5 | 2 |
| 13 | 40405-26.6BS | CYL, 4" BORE X 26.625" STROKE | 1 |
| 14 | 40463-21.5B | CYL, 3" BORE X 21-1/2" STROKE | 1 |

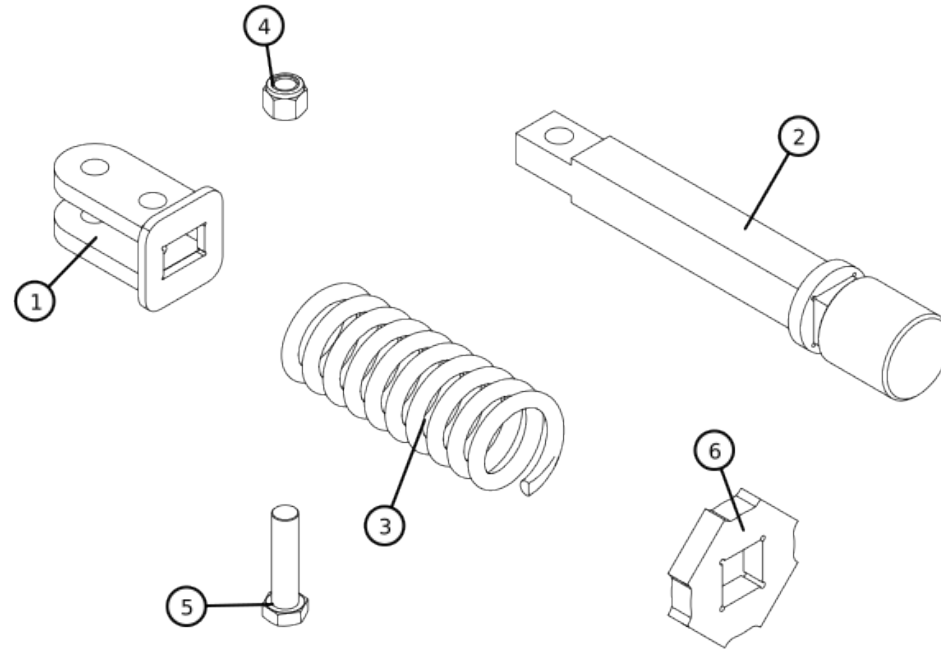
| Pos | SKU | Description | Qty |
|-----|--------------|---|-----|
| 1 | 00760-00-A | PIN RB, 1-1/4 CR | 1 |
| 2 | 06460-04-B | SWIVEL | 2 |
| 5 | 07348-04-B | PIN, 1-1/2" X 4" LONG | 1 |
| 6 | 07349-04-B | PIN, 1-1/4 DIA X 4 LONG | 2 |
| 7 | 07356-00-A | SWIVEL, 2-1/2 OD X 1-9/32 ID | 1 |
| 8 | 11469-00 | FLATWASHER, 1", GR.8 (YZ) | 6 |
| 9 | 11510-00 | LOCKNUT, 1 UNC GR2 NYL | 3 |
| 10 | 11534-00 | COTTER PIN, 1/4 X 2-1/2 | 5 |
| 11 | 11633-00 | HCS, 1 UNC X 5 GR5 | 1 |
| 12 | 122309-00 | HCS, 1 UNC X 4 GR5 THREAD 1-1/4 | 2 |
| 13 | 40405-26.6BS | CYL, 4" BORE X 26.625" STROKE REPLACE STOP | 1 |
| 14 | 40463-21.5B | CYL, 3" BORE X 21-1/2" STROKE 2CS/CHAM /TH-1/-/4000/#8 ORB | 1 |

| ID | Part Number | Description | Qty |
|----|-------------|------------------------------|-----|
| 1 | 155723-00 | PLUNGER ASSY, C/W 100 BAR | 1 |
| 2 | 06849-00 | SELF ALIGNING BUSHING | 1 |
| 3 | 07932-00 | BUSHING, 1.500 ID X 2.438 OD | 1 |
| 4 | 12646-00 | GREASE FITTING | 4 |



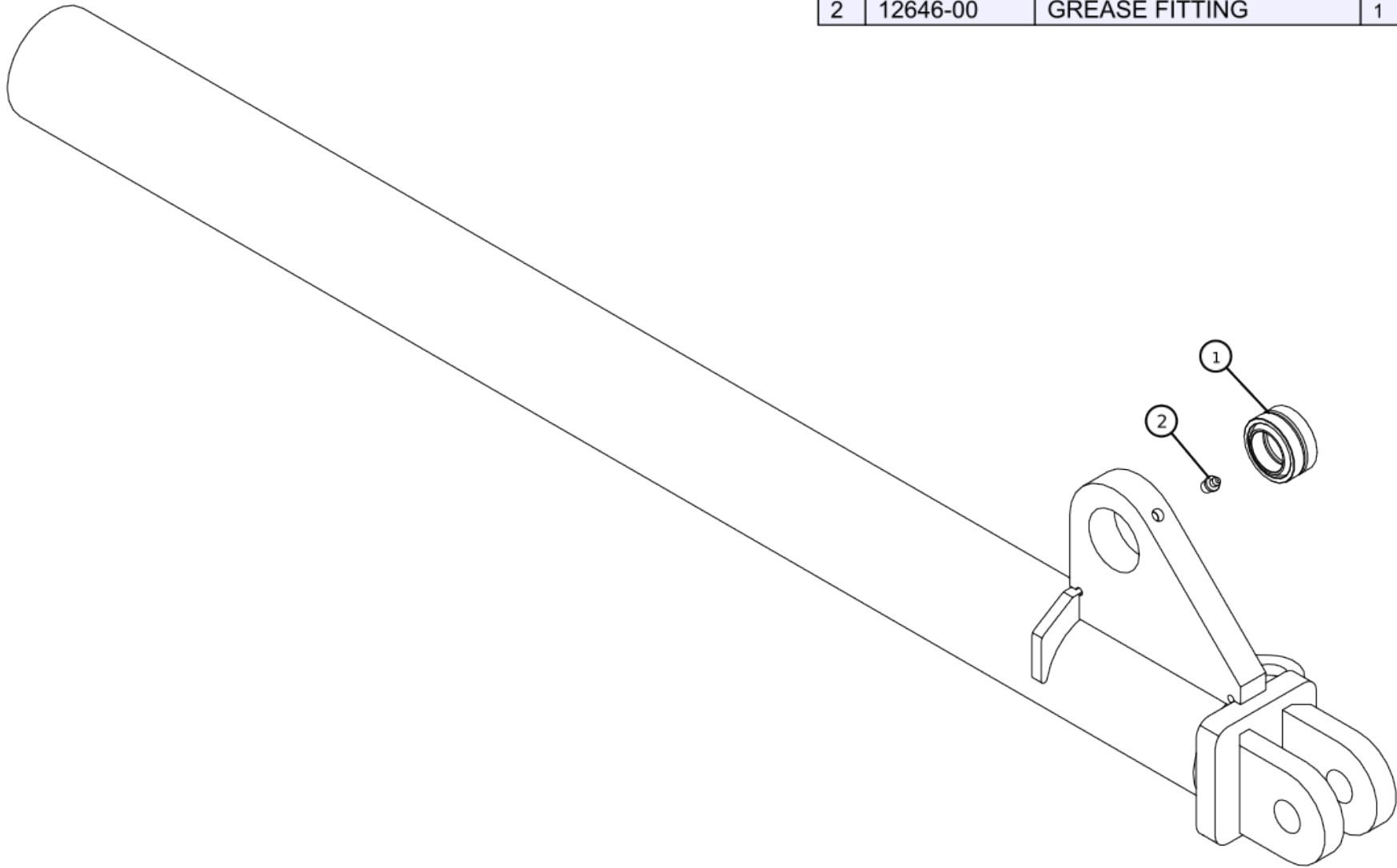
| Pos | SKU | Description | Qty |
|-----|-----------|--|-----|
| 2 | 155723-00 | PLUNGER ASSY, C/W 100 BAR FOR STD 301 PUSH POLE | 1 |
| 6 | 06849-00 | SPHERICAL PLAIN BEARING 1.25 ID X 2 OD | 1 |
| 7 | 07932-00 | SPHERICAL PLAIN BEARING 1.5 ID X 2.4375 OD | 1 |
| 8 | 12646-00 | GREASE FITTING | 4 |

| BOM ID | PartNo | Description | Qty |
|--------|------------|-------------------------------|-----|
| 1 | 09105-00-B | YOKE, FOR 301 PLUNGER WELDMEN | 1 |
| 2 | 155726-00 | PLUNGER WELD/100 BAR | 1 |
| 3 | 08018-00 | SPRING, 2.937 ID X .625 WIRE, | 1 |
| 4 | 11510-00 | LOCKNUT, 1 UNC GR2 NYL | 1 |
| 5 | 122309-00 | HCS, 1 UNC X 4 GR5 | 1 |
| 6 | 17711-00-B | POLE CUSHION PLATE | 1 |



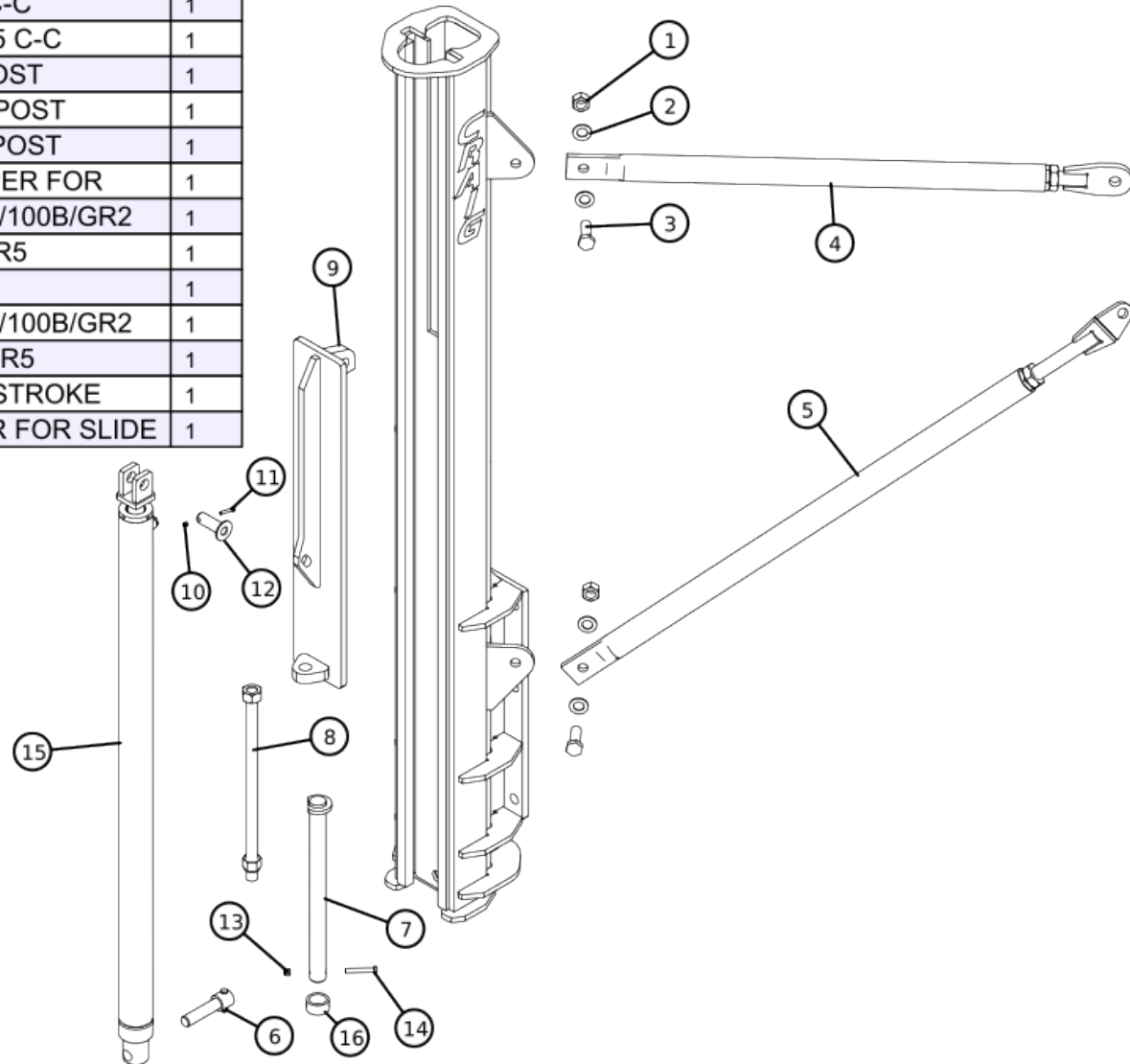
| Pos | SKU | Description | Qty |
|-----|------------|---|-----|
| 1 | 09105-00-B | YOKE, FOR 301 PLUNGER WELDMEN C-09013-00) | 1 |
| 2 | 155726-00 | PLUNGER WELD/100 BAR | 1 |
| 3 | 08018-00 | SPRING, 2.937 ID X .625 WIRE, 10.25 COILS, 12" FREE LENGTH | 1 |
| 4 | 11510-00 | LOCKNUT, 1 UNC GR2 NYL | 1 |
| 5 | 122309-00 | HCS, 1 UNC X 4 GR5 THREAD 1-1/4 | 1 |
| 6 | 17711-00-B | POLE CUSHION PLATE PL, 1 100 | 1 |

| ID | Part Number | Description | Qty |
|----|-------------|-----------------------|-----|
| 1 | 06849-00 | SELF ALIGNING BUSHING | 1 |
| 2 | 12646-00 | GREASE FITTING | 1 |



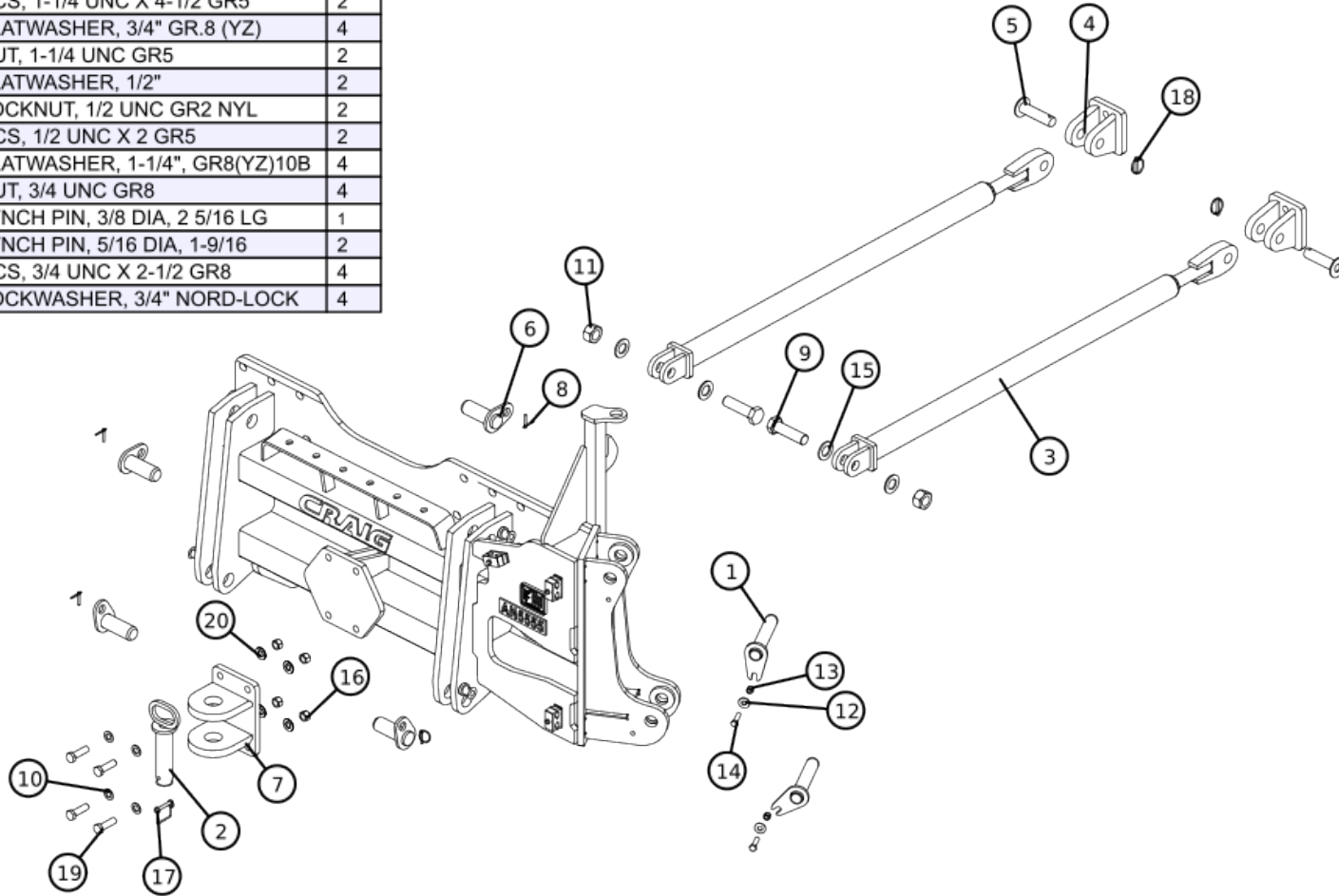
| Pos | SKU | Description | Qty |
|-----|----------|--|-----|
| 1 | 06849-00 | SPHERICAL PLAIN BEARING 1.25 ID X 2 OD | 1 |
| 2 | 12646-00 | GREASE FITTING | 1 |

| ID | Part Number | Description | Qty |
|----|--------------|-------------------------------|-----|
| 1 | 103242-00 | NUT, 7/8 UNC, GR 8 (YZ) | 2 |
| 2 | 11470-00 | FLATWASHER, 7/8", HARDENED | 4 |
| 3 | 16272-00 | HCS, 7/8 UNC X 2-1/2, GR 8 | 2 |
| 4 | 128576-00 | ADJ BRACE, 46.5-53.5 C-C | 1 |
| 5 | 132880-00 | ADJ BRACE, 56.25-63.75 C-C | 1 |
| 6 | 16022-00-A | PIN, FOR 261 FRONT POST | 1 |
| 7 | 09620-00-B | SLIDE PIN, 251 FRONT POST | 1 |
| 8 | 09850-01-B | LIFT BOLT, 251 FRONT POST | 1 |
| 9 | 16019-01-B | SLIDE WELDMENT, UPPER FOR | 1 |
| 10 | 11502-00 | LOCKNUT, 1/4 UNC/NYL/100B/GR2 | 1 |
| 11 | 11516-00 | HCS, 1/4 UNC X 1-1/2, GR5 | 1 |
| 12 | 09622-00-A | PIN, UPPER CYL | 1 |
| 13 | 11504-00 | LOCKNUT, 3/8 UNC/NYL/100B/GR2 | 1 |
| 14 | 11555-00 | HCS, 3/8 UNC X 2-1/2, GR5 | 1 |
| 15 | 39240-48.0BS | CYL, 2-1/2" BORE X 48" STROKE | 1 |
| 16 | 09621-00-A | COLLAR, LOCK COLLAR FOR SLIDE | 1 |



| Pos | SKU | Description | Qty |
|-----|--------------|--|-----|
| 1 | 103242-00 | NUT, 7/8 UNC GR8 (YELLOW ZINC) | 2 |
| 2 | 11470-00 | FLATWASHER, 7/8", HARDENED SAE, YELLOW ZINCE PLATED, | 4 |
| 3 | 16272-00 | HCS, 7/8 UNC X 2-1/2 GR8 | 2 |
| 4 | 128576-00 | ADJ BRACE, 46.5-53.5 C-C NON STD 1.0625" HOLE ADJ END | 1 |
| 5 | 132880-00 | ADJ BRACE, 56.25-63.75 C-C STD 29/32 HOLE BENT 30DEG | 1 |
| 6 | 16022-00-A | PIN, FOR 261 FRONT POST CYLINDER (LOWER) | 1 |
| 7 | 09620-00-B | SLIDE PIN, 251 FRONT POST | 1 |
| 8 | 09850-01-B | LIFT BOLT, 251 FRONT POST | 1 |
| 9 | 16019-01-B | SLIDE WELDMENT, UPPER FOR 261-48 FRONT POST MASTER | 1 |
| 10 | 11502-00 | LOCKNUT, 1/4 UNC GR2 NYL | 1 |
| 11 | 11516-00 | HCS, 1/4 UNC X 1-1/2 GR5 | 1 |
| 12 | 09622-00-A | PIN, UPPER CYL | 1 |
| 13 | 11516-00 | HCS, 1/4 UNC X 1-1/2 GR5 | 1 |
| 14 | 11555-00 | HCS, 3/8 UNC X 2-1/2 GR5 | 1 |
| 15 | 39240-48.0BS | CYL,2-1/2" BORE X 48" STROKE 1.5CS/TH /S/4000/#8 ORB | 1 |
| 16 | 09621-00-A | COLLAR, LOCK COLLAR FOR SLIDE MT, 2 OD X 1-1/2 ID | 1 |

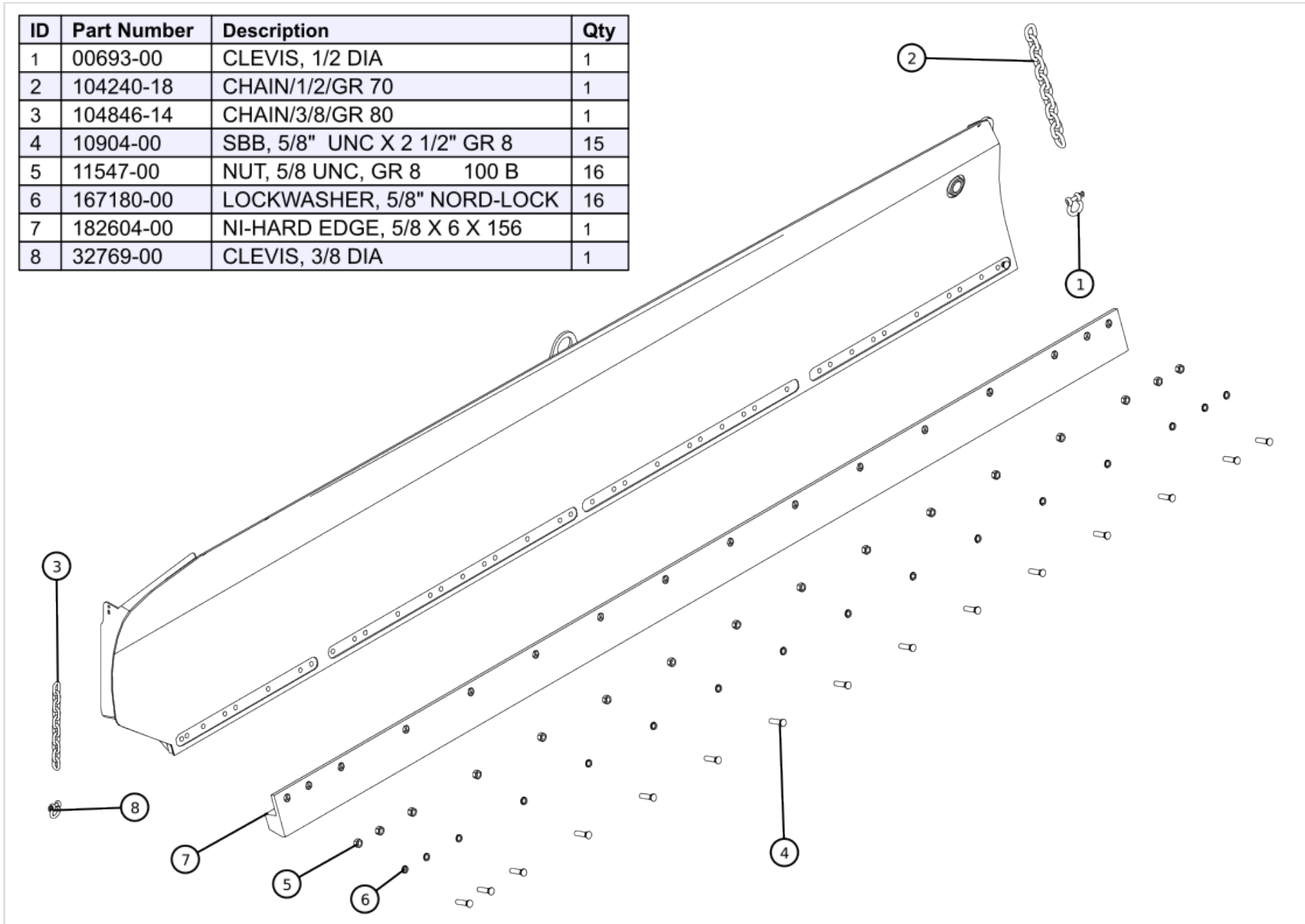
| ID | Part Number | Description | Qty |
|----|-------------|--------------------------------|-----|
| 1 | 06740-04-A | PIN/1.500 X 7.500/PEAR/M | 2 |
| 2 | 145444-00 | PIN/2.000 X 7.500 | 1 |
| 3 | 164500-00 | BRACE, ADJ 62-1/2 - 70-1/2 | 2 |
| 4 | 166693-00 | REAR BRACE MOUNT WELDMENT | 2 |
| 5 | 175526-00 | PIN/1.250 X 4.875/ASSY/BOLT | 2 |
| 6 | 355362-00 | PIN, 1.750 DIA X 4.500 LONG | 4 |
| 7 | 355452-00 | HITCH ASSEMBLY/BOLT ON | 1 |
| 8 | 05833-00 | LYNCH PIN, 1/4 DIA, 1-1/2 LG | 4 |
| 9 | 08929-00 | HCS, 1-1/4 UNC X 4-1/2 GR5 | 2 |
| 10 | 11471-00 | FLATWASHER, 3/4" GR.8 (YZ) | 4 |
| 11 | 11483-00 | NUT, 1-1/4 UNC GR5 | 2 |
| 12 | 11495-00 | FLATWASHER, 1/2" | 2 |
| 13 | 11506-00 | LOCKNUT, 1/2 UNC GR2 NYL | 2 |
| 14 | 11577-00 | HCS, 1/2 UNC X 2 GR5 | 2 |
| 15 | 12344-00 | FLATWASHER, 1-1/4", GR8(YZ)10B | 4 |
| 16 | 13908-00 | NUT, 3/4 UNC GR8 | 4 |
| 17 | 146242-00 | LYNCH PIN, 3/8 DIA, 2 5/16 LG | 1 |
| 18 | 158827-00 | LYNCH PIN, 5/16 DIA, 1-9/16 | 2 |
| 19 | 18809-00 | HCS, 3/4 UNC X 2-1/2 GR8 | 4 |
| 20 | 188451-00 | LOCKWASHER, 3/4" NORD-LOCK | 4 |



| Pos | SKU | Description | Qty |
|-----|------------|---|-----|
| 1 | 06740-04-A | PIN/1.500 X 7.500/PEAR/M FOR RPB | 2 |
| 2 | 145444-00 | PIN/2.000 X 7.500 FOR TOW EYE | 1 |
| 3 | 164500-00 | BRACE, ADJ 62-1/2 - 70-1/2 RIPPER BRACE DEEREG/G SER | 1 |
| 4 | 166693-00 | REAR BRACE MOUNT WELDMENT GRADERS W/ NO RIPPER | 2 |
| 5 | 175526-00 | PIN/1.250 X 4.875/ASSY/BOLT | 2 |
| 6 | 355362-00 | PIN, 1.750 DIA X 4.500 LONG | 4 |
| 7 | 355452-00 | HITCH ASSEMBLY/BOLT ON FOR RPB WITH 4PT HOOKUP | 1 |
| 8 | 05833-00 | LYNCH PIN, 1/4 DIA, 1-1/2 LG 1-3/8 ID RING | 4 |
| 9 | 08929-00 | HCS, 1-1/4 UNC X 4-1/2 GR5 | 2 |
| 10 | 11471-00 | FLATWASHER, 3/4" GR.8 (YZ) (YELLOW-ZINC PLATED) | 4 |
| 11 | 11483-00 | NUT, 1-1/4 UNC GR5 | 2 |
| 12 | 11495-00 | FLATWASHER, 1/2" | 2 |
| 13 | 11506-00 | LOCKNUT, 1/2 UNC GR2 NYL | 2 |
| 14 | 11577-00 | HCS, 1/2 UNC X 2 GR5 | 2 |
| 15 | 12344-00 | FLATWASHER, 1-1/4", GR8(YZ)10B (YELLOW ZINC PLATED) | 4 |
| 16 | 13908-00 | NUT, 3/4 UNC GR8 (YELLOW ZINC) | 4 |
| 17 | 146242-00 | QUICK PIN, 3/8 DIA, 2 5/16 LG 2 1/4" ID RING | 1 |
| 18 | 158827-00 | LYNCH PIN, 5/16 DIA, 1-9/16 1-3/8 ID RING | 2 |

| Pos | SKU | Description | Qty |
|-----|-----------|----------------------------|-----|
| 19 | 18809-00 | HCS, 3/4 UNC X 2-1/2 GR8 | 4 |
| 20 | 188451-00 | LOCKWASHER, 3/4" NORD-LOCK | 4 |

| ID | Part Number | Description | Qty |
|----|-------------|-----------------------------|-----|
| 1 | 00693-00 | CLEVIS, 1/2 DIA | 1 |
| 2 | 104240-18 | CHAIN/1/2/GR 70 | 1 |
| 3 | 104846-14 | CHAIN/3/8/GR 80 | 1 |
| 4 | 10904-00 | SBB, 5/8" UNC X 2 1/2" GR 8 | 15 |
| 5 | 11547-00 | NUT, 5/8 UNC, GR 8 100 B | 16 |
| 6 | 167180-00 | LOCKWASHER, 5/8" NORD-LOCK | 16 |
| 7 | 182604-00 | NI-HARD EDGE, 5/8 X 6 X 156 | 1 |
| 8 | 32769-00 | CLEVIS, 3/8 DIA | 1 |



| Pos | SKU | Description | Qty |
|-----|-----------|---|-----|
| 1 | 00693-00 | CLEVIS, 1/2 DIA | 1 |
| 2 | 104240-18 | CHAIN/1/2/GR 70 CHAIN/1/2/GR 70 | 1 |
| 3 | 104846-14 | CHAIN/3/8/GR 80 CHAIN 14in | 1 |
| 4 | 10904-00 | SBB, 5/8 UNC X 2-1/2 GR8 | 15 |
| 5 | 11547-00 | NUT, 5/8 UNC GR8 | 16 |
| 6 | 167180-00 | LOCKWASHER, 5/8" NORD-LOCK 0129514 | 16 |
| 7 | 182604-00 | NI-HARD EDGE, 5/8 X 6 X 156 2,4,6,12...12,6,4,2 (STD WING) | 1 |
| 8 | 32769-00 | CLEVIS, 3/8 DIA | 1 |
