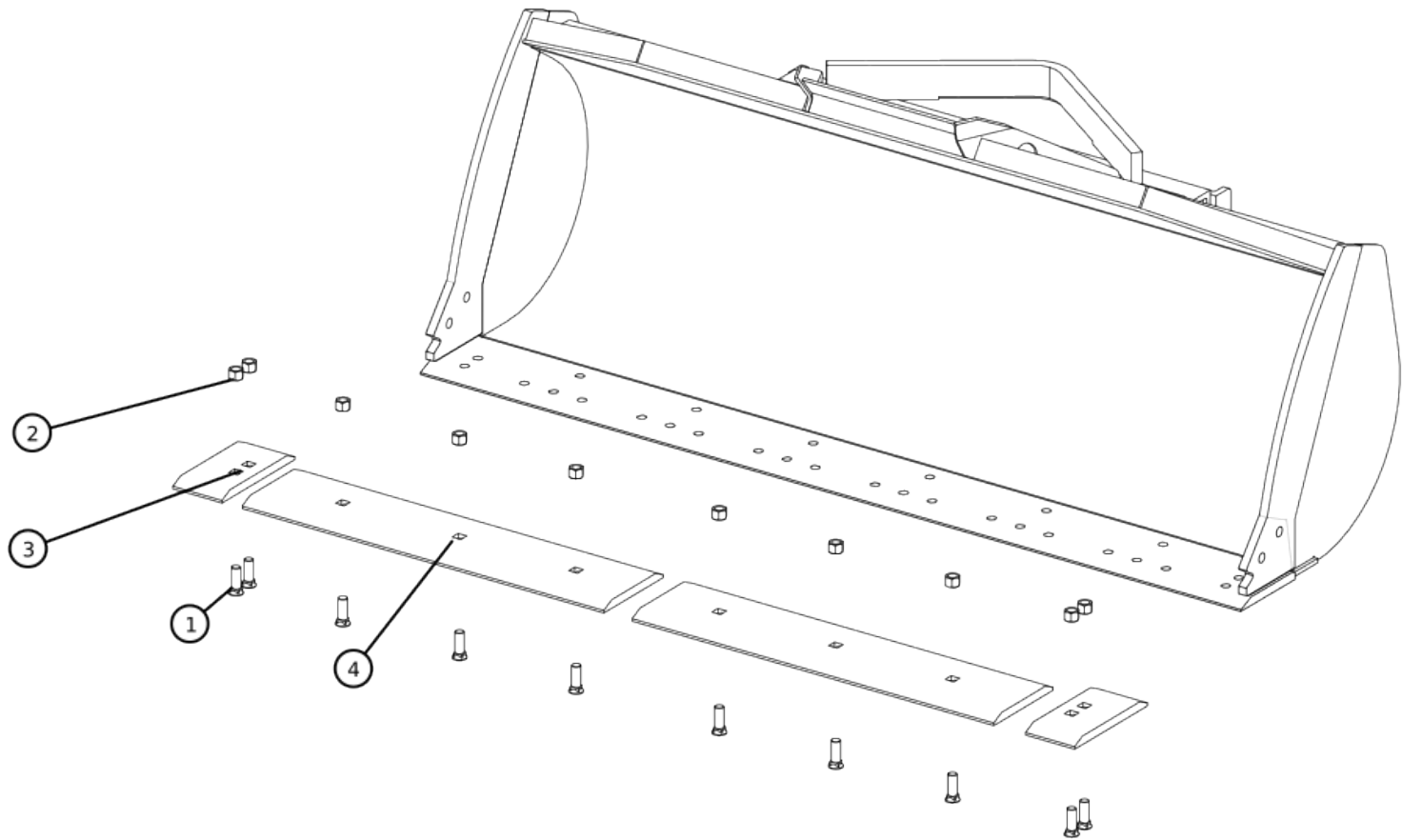


COM ID	PartNo (config)	Description	Qty
	10917-00	SBB, 1" UNC X 3", GR 8	10
	13775-00	NUT, 1 UNC GR8	10
	22040-00-B	END BIT, RH OR LH 4T8091	2
	22695-00-B	CUTTING EDGE, BOLT ON(REPLACE	2



Pos	SKU	Description	Qty
479145-01	479145-01	GPP-1.900/QKF-12065 CATBOE/TD/SEG/FB /OT/105.5	1
1	10917-00	SBB, 1" UNC X 3", GR 8	10
2	13775-00	NUT, 1 UNC GR8 (YELLOW ZINC)	10
3	22040-00-B	END BIT, RH OR LH 4T8091 PL, 1 400	2
4	22695-00-B	CUTTING EDGE, BOLT ON(REPLACE PL, 1 400	2
