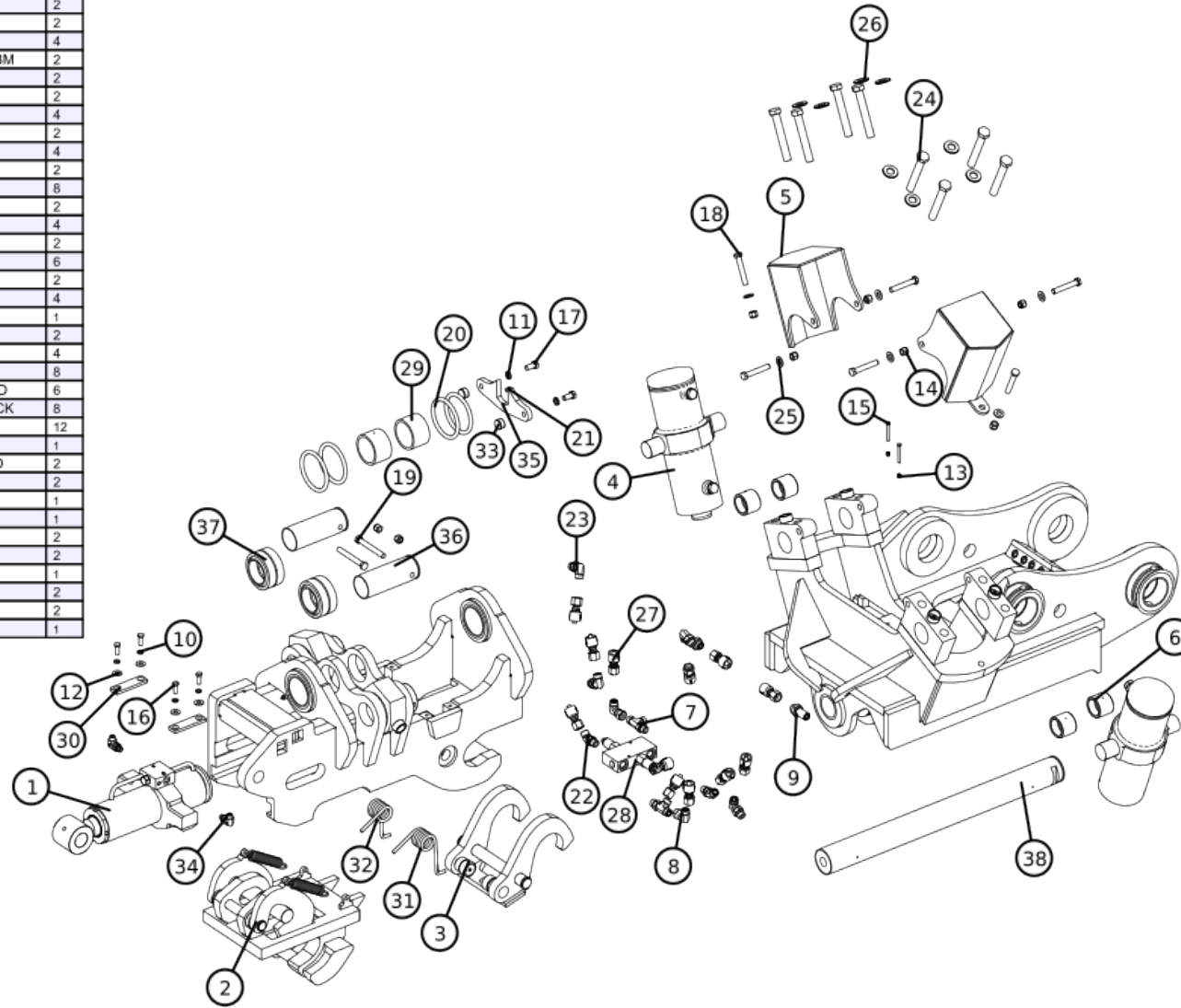

457475-07

Table of Contents

Book Page	Page Number
457475-07	2
427790-00	5
427800-00	7

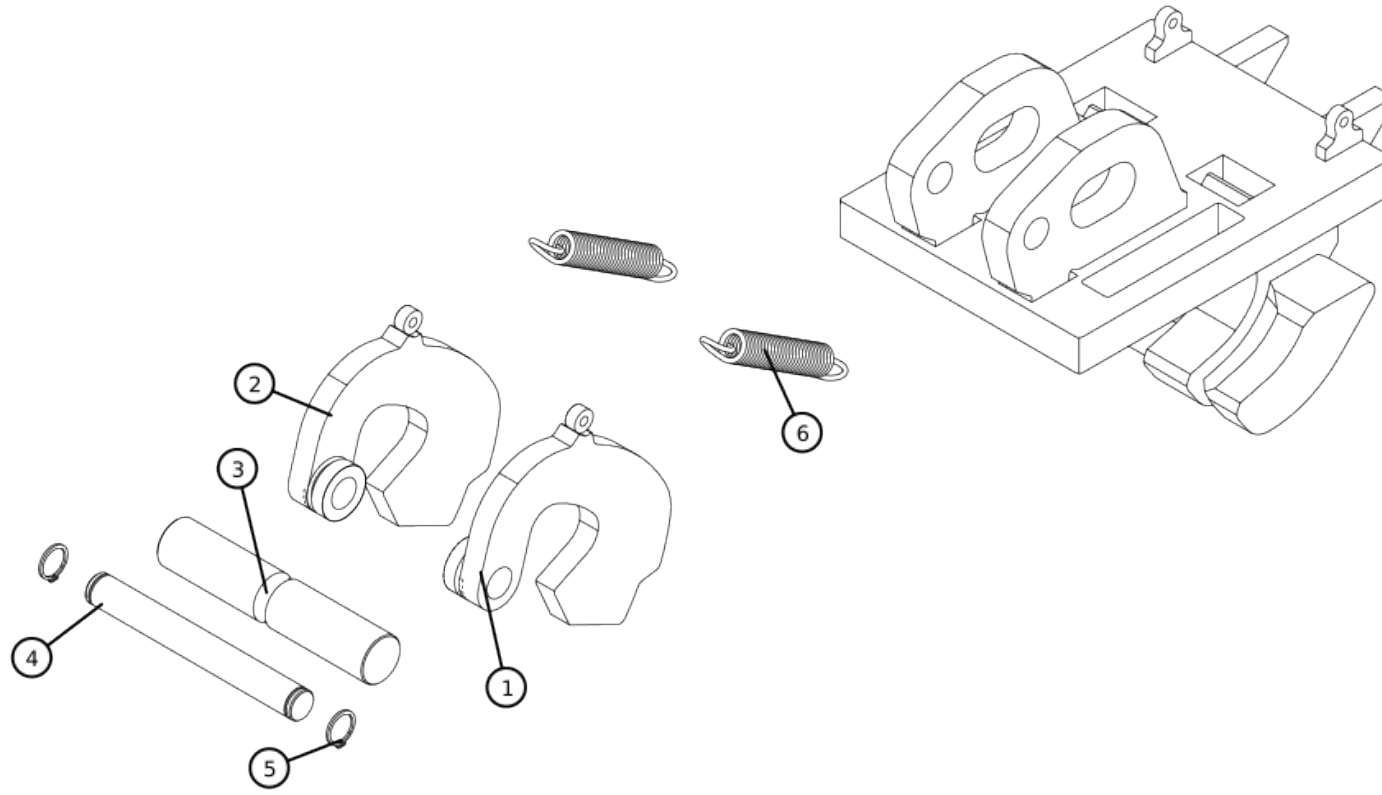
ID	Part Number	Description	Qty
1	425035-150	CYL, 80MM BORE X 200MM STROKE	1
2	427790-00	SLIDING JAW ASSY/TG70-80	1
3	427800-00	FRONT LOCK ASSY/TG70-80	1
4	457484-00	CYL, 4" BORE X 8" STROKE	2
5	457501-00	COVER WELD	2
6	05619-00	BUSHING, 1.75 BORE X 2.2489	4
7	11086-00	AD/RUNTEE/08ORSM X 08ORBM	2
8	11089-00	AD/90/08ORSM X 08ORSSF	2
9	113411-00	AD/BHSTR/08ORSM	2
10	11457-00	LOCKWASHER, 3/8" SPRING	4
11	11459-00	LOCKWASHER, 1/2" SPRING	2
12	11494-00	FLATWASHER, 3/8"	4
13	11502-00	LOCKNUT, 1/4 UNC GR2 NYL	2
14	11506-00	LOCKNUT, 1/2 UNC GR2 NYL	8
15	11518-00	HCS, 1/4 UNC X 2 GR5	2
16	11549-00	HCS, 3/8 UNC X 1 GR5	4
17	11573-00	HCS, 1/2 UNC X 1 GR5	2
18	11580-00	HCS, 1/2 UNC X 3 GR5	6
19	11582-00	HCS, 1/2 UNC X 4 GR5	2
20	116796-00	O-RING, 3-3/4 ID X 3/8 WIRE	4
21	12646-00	GREASE FITTING	1
22	142583-00	AD/45/08ORBM X 08ORSM	2
23	143551-00	AD/90/08ORBM X 08ORSM	4
24	149561-00	HCS, 3/4 UNC X 5 GR8	8
25	18050-00	FLATWASHER, 1/2", HARDENED	6
26	188451-00	LOCKWASHER, 3/4" NORD-LOCK	8
27	25166-00	HE/STR/2W/06 X 08ORSSF	12
28	364654-00	CROSS-OVER RELIEF VALVE	1
29	42082-00	*BUSHING, 2.750 ID X 3.250 OD	2
30	424907-00	CYL LOCK PLATE	2
31	425079-00	SPRING-FRONT-TG80-RH	1
32	425080-00	SPRING-FRONT-TG80-LH	1
33	437236-00	SPACER	2
34	442887-00	AD/90/04BSPPM X 04ORSM	2
35	449377-00	PINLOCK	1
36	457510-00	PIN/2.498 X 5.563/BOLT	2
37	457512-00	SPHERICAL PLAIN BEARING	2
38	457514-00	PIN, 2.74 X 28.438 LONG	1



Pos	SKU	Description	Qty
457475-07	457475-07	EXM-TGCT70-80/CASEEX/CX160	1
1	425035-150	CYL, 80MM BORE X 200MM STROKE	1
4	457484-00	CYL, 4" BORE X 8" STROKE 2CS/5000/#8ORB	2
5	457501-00	COVER WELD	1
6	05619-00	BUSHING, 1.75 BORE X 2.2489 X 1.76 WIDE	4
7	11086-00	AD/RUNTEE/08ORSM X 08ORBM PARKER (8 R5OLO-S)	2
8	11089-00	AD/90/08ORSM X 08ORSSF	2
9	113411-00	AD/BHSTR/08ORSM 8 WLO (PARKER)	2
10	11457-00	LOCKWASHER, 3/8" SPRING	4
11	11459-00	LOCKWASHER, 1/2" SPRING	2
12	11494-00	FLATWASHER, 3/8"	4
13	11502-00	LOCKNUT, 1/4 UNC GR2 NYL	2
14	11506-00	LOCKNUT, 1/2 UNC GR2 NYL	8
15	11518-00	HCS, 1/4 UNC X 2 GR5	2
16	11549-00	HCS, 3/8 UNC X 1 GR5	4
17	11573-00	HCS, 1/2 UNC X 1 GR5	2
18	11580-00	HCS, 1/2 UNC X 3 GR5	6
19	11582-00	HCS, 1/2 UNC X 4 GR5	2
20	116796-00	O-RING, 3-3/4 ID X 3/8 WIRE	4
21	12646-00	GREASE FITTING	1
22	142583-00	AD/45/08ORBM X 08ORSM	2

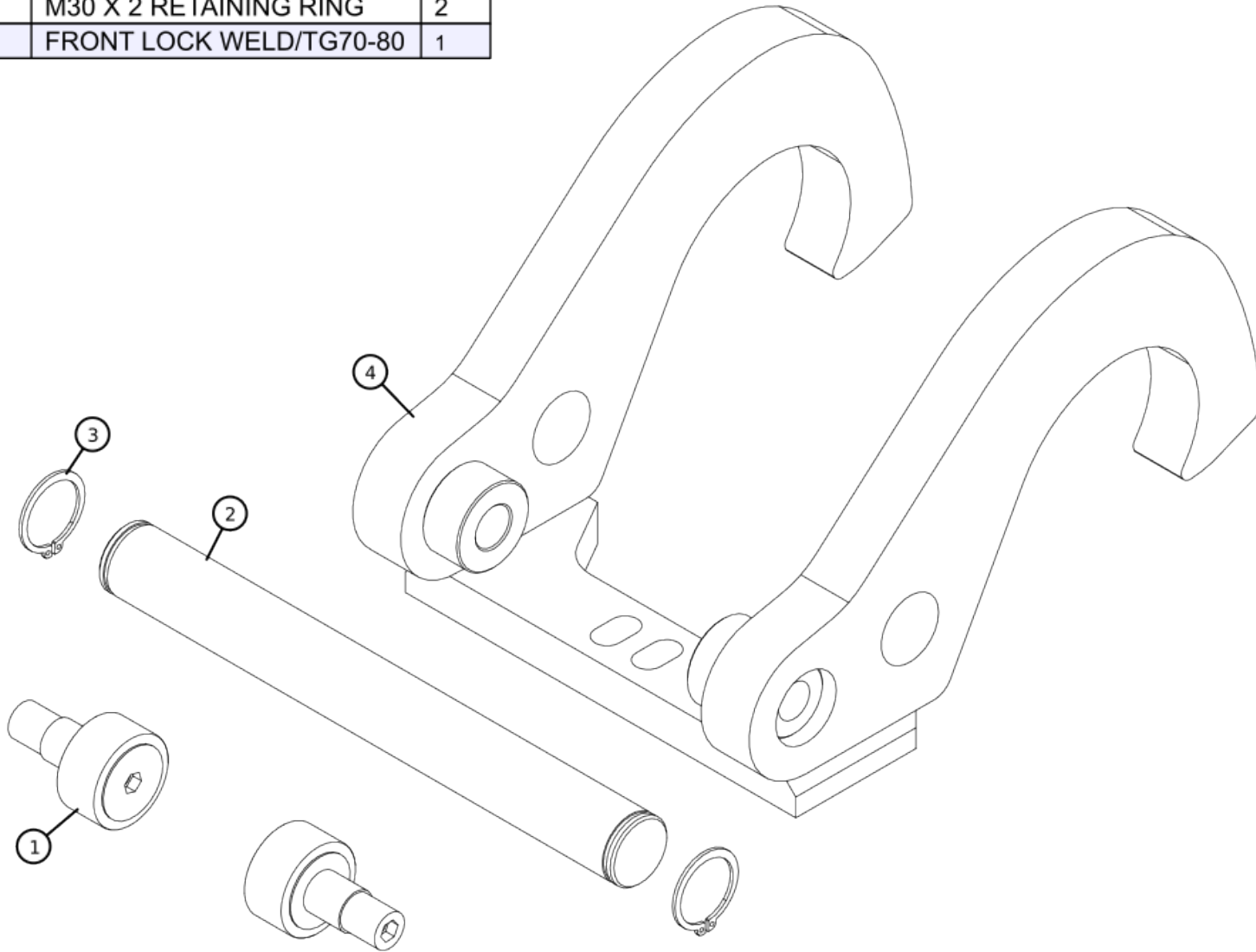
Pos	SKU	Description	Qty
23	143551-00	AD/90/08ORBM X 08ORSM GATES #08MFFOR-08MB90	4
24	149561-00	HCS, 3/4 UNC X 5 GR8	8
25	18050-00	FLATWASHER, 1/2", HARDENED	6
26	188451-00	LOCKWASHER, 3/4" NORD-LOCK SP LARGER DIAMETER	8
27	25166-00	HE/STR/2W/06 X 08ORSSF G25230-0608 - (1-1/4")	12
28	364654-00	CROSS-OVER RELIEF VALVE XRDH101S50-8T (PARKER)	1
29	42082-00	BUSHING, 2.750 ID X 3.250 OD 2.000 WIDE - IR-445232	2
30	424907-00	CYL LOCK PLATE PL, 5/16 G40.21 44W	2
31	425079-00	SPRING-FRONT-TG80-RH A2-106811	1
32	425080-00	SPRING-FRONT-TG80-LH A2-107525	1
33	437236-00	SPACER RB, 1 CR	2
34	442887-00	AD/90/04BSPPM X 04ORSM 4-4C4OMLOS	2
35	449377-00	PINLOCK PL, 1/2 G40.21 44W	1
36	457510-00	PIN/2.498 X 5.563/BOLT SP, 2-1/2	2
37	457512-00	SPHERICAL PLAIN BEARING 2.5 ID X 3.9375 OD	2
38	457514-00	PIN, 2.74 X 28.438 LONG SP, 2-3/4	1

ID	Part Number	Description	Qty
1	431469-0L	REAR LOCK WELD - LH	1
2	431469-0R	REAR LOCK WELD - RH	1
3	425061-00	PIN-B-TG80	1
4	425062-02	PIN-C-TG80	1
5	425076-00	M25 X 1.75 RETAINING RING	2
6	435085-00	EXT SPRING, 1" OD X 6" LONG	2



Pos	SKU	Description	Qty
1	431469-0L	REAR LOCK WELD - LH	1
2	431469-0R	REAR LOCK WELD - RH	1
3	425061-00	PIN-B-TG80	1
4	425062-02	PIN-C-TG80 SIMILAR TO A2-103999	1
5	425076-00	M25 X 1.75 RETAINING RING FASTENAL 0401194	2
6	435085-00	EXT SPRING, 1" OD X 6" LONG 38.5LBS/IN + 10LBS, 2.66" EXT	2

ID	Part Description	Description	Qty
1	425038-00	BEARING-KR40-PP	2
2	427854-00	PIN-A-TG70	1
3	425073-00	M30 X 2 RETAINING RING	2
4	427801-00	FRONT LOCK WELD/TG70-80	1



Pos	SKU	Description	Qty
1	425038-00	BEARING-KR40-PP A2-106809 GRADE 6 SKF	2
2	427854-00	PIN-A-TG70 22MM SHORTER THAN A2	1
3	425073-00	M30 X 2 RETAINING RING FASTENAL 11507977	2
4	427801-00	FRONT LOCK WELD/TG70-80	1
