

---

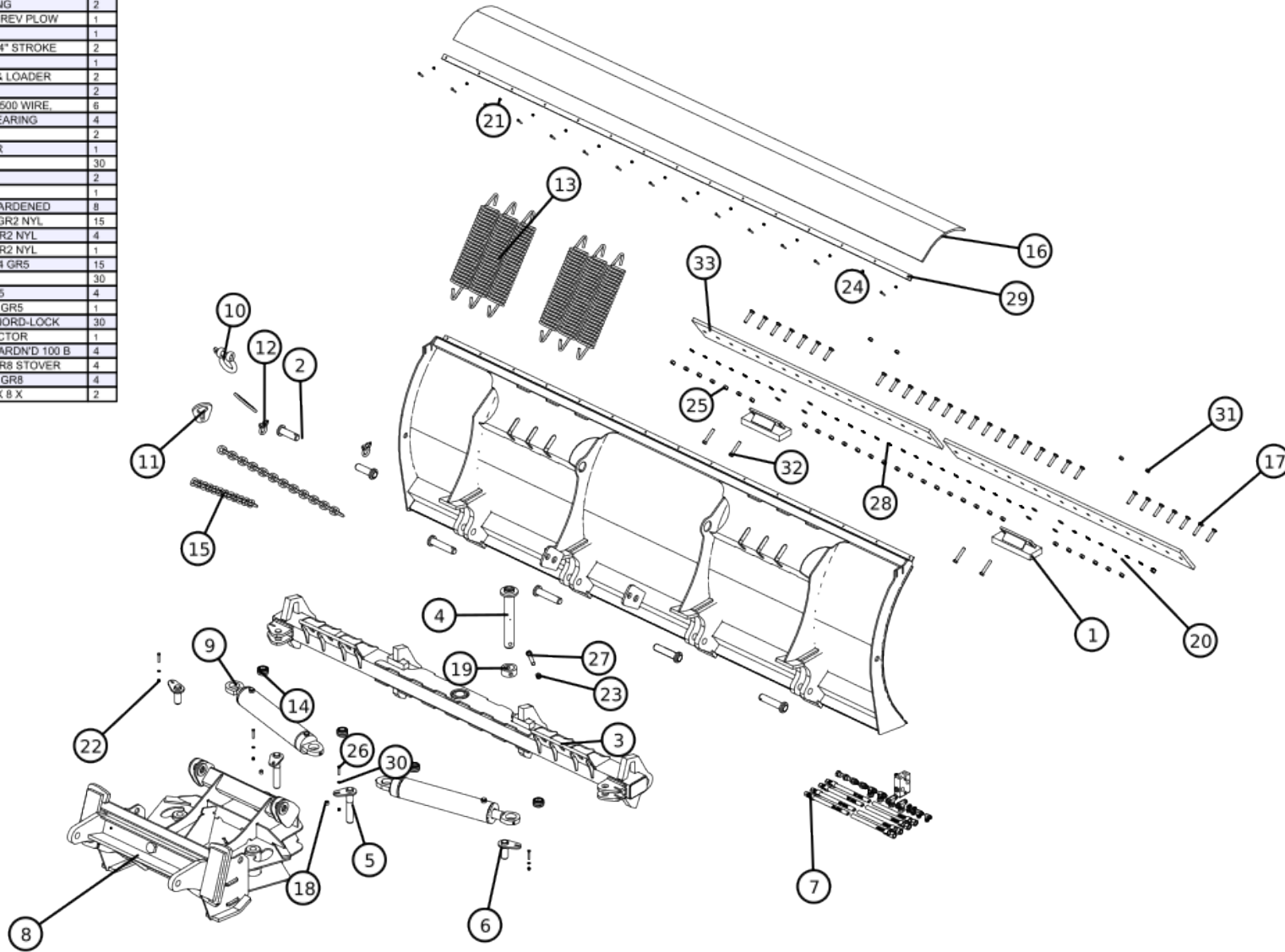
# 487611-00

## Table of Contents

---

Book Page	Page Number
487611-00	2
29222-00	5

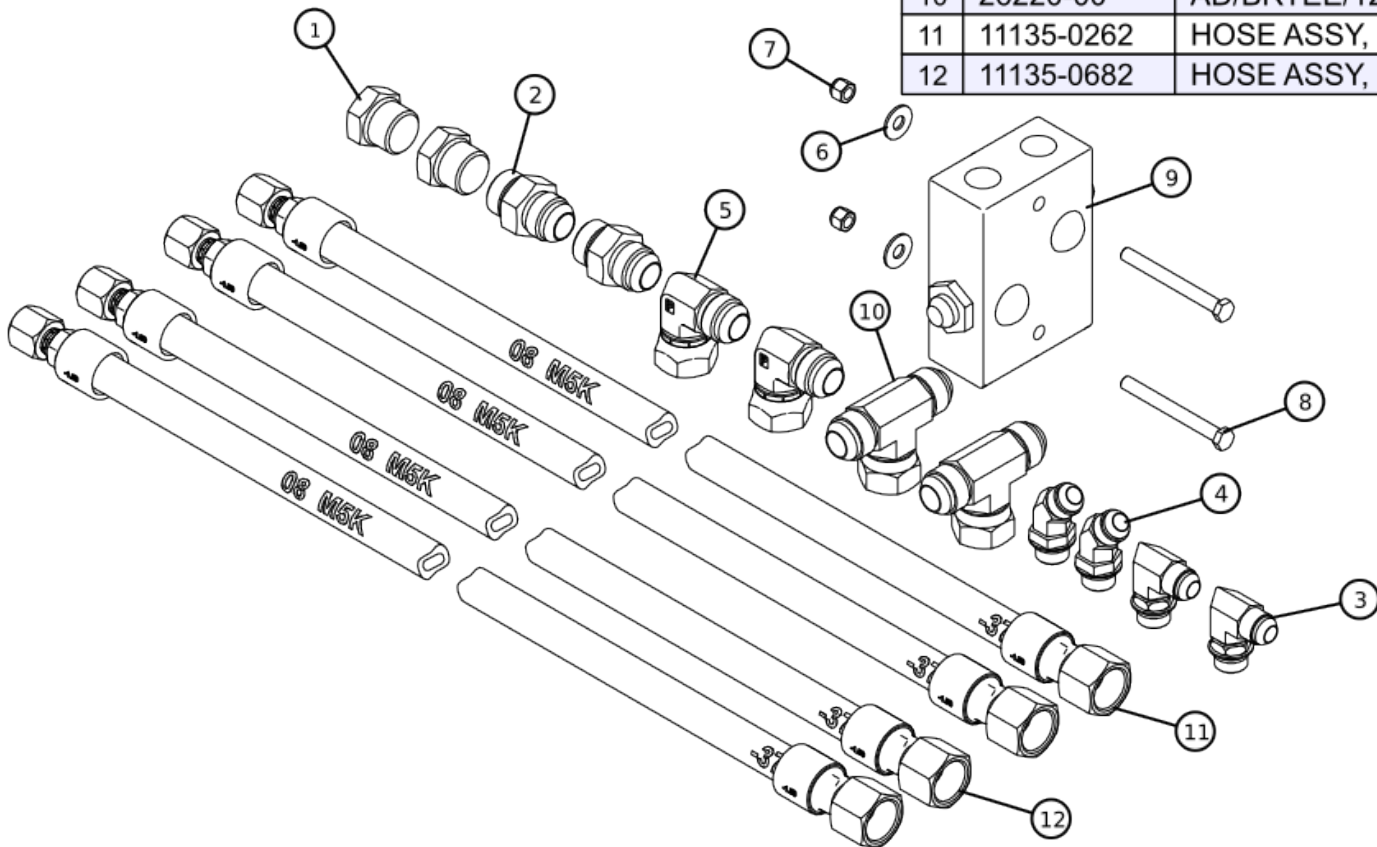
BOM ID	PartNo	Description	Qty
1	04641-02-B	WEAR SHOE, FOR REV FLOWS, OLD	2
2	07319-0	PIN, 1 1/2" DIA./MASTER	6
3	113294-00	REVSF/7973H-7974H	1
4	29210-00-B	PIN, 2-1/4 DIA X 15-3/8 LONG	1
5	29211-00-B	PIN, 1-1/2 DIA X 9 LONG	2
6	29212-00-B	PIN, 1-1/2 DIA X 5 LONG	2
7	29222-00-	CUSHION VALVE KIT, REV FLOW	1
8	39779-00-D	REVPF/7973H-74H	1
9	40696-17.7B	CYL, 4" BORE X 17-3/4" STROKE	2
10	00291-00	CLEVIS, 1 DIA	1
11	00379-00-B	SLIP LINK, GRADER & LOADER	2
12	00693-00	CLEVIS, 1/2 DIA	2
13	02082-00	SPRING, 4.500 OD X .500 WIRE.	6
14	07932-00	SPHERICAL PLAIN BEARING	4
15	104240-42	CHAIN/1/2/GR 70	2
16	105512-00	RUBBER DEFLECTOR	1
17	111619-00	CB, 5/8 UNC X 3 GR8	30
18	113370-00	SPACER	2
19	113541-00	LOCK COLLAR	1
20	11472-00	FLATWASHER, 5/8", HARDENED	8
21	11503-00	LOCKNUT, 5/16 UNC GR2 NYL	15
22	11504-00	LOCKNUT, 3/8 UNC GR2 NYL	4
23	11508-00	LOCKNUT, 3/4 UNC GR2 NYL	1
24	11538-00	HCS, 5/16 UNC X 1-3/4 GR5	15
25	11547-00	NUT, 5/8 UNC GR8	30
26	11553-00	HCS, 3/8 UNC X 2 GR5	4
27	11612-00	HCS, 3/4 UNC X 4-1/2 GR5	1
28	167180-00	LOCKWASHER, 5/8" NORD-LOCK	30
29	178311-00	KEEPER FOR DEFLECTOR	1
30	19889-00	FLATWASHER, 3/8", HARD'D 100 B	4
31	29629-00	LOCKNUT, 5/8 UNC GR8 STOVER	4
32	38402-00	HCS, 5/8 UNC X 3-1/2 GR8	4
33	41269-00-B	CUTTING EDGE, 3/4 X 8 X	2



Pos	SKU	Description	Qty
487611-08	087611-00	7974H/CHAIN LIFT (4T3021) 2,4,4...4,4,2	1
1	04641-02-B	WEAR SHOE, FOR REV PLOWS, OLD STYLE, 8" C-C	2
2	07319-00-B	ZPIN, 1-1/2 DIA/MASTER NO ROTATION LOCK	6
3	113294-00	REVSF/7973H-7974H	1
4	29210-00-B	PIN, 2-1/4 DIA X 15-3/8 LONG HINGE PIN	1
5	29211-00-B	PIN, 1-1/2 DIA X 9 LONG	2
6	29212-00-B	PIN, 1-1/2 DIA X 5 LONG CYLINDER PIN	2
8	39779-00-D	REVPF/7973H-74H SWINGFRAME	1
9	40696-17.7B	CYL, 4" BORE X 17-3/4" STROKE 2CS/TH1-1 /4/-/4000/#8 ORB	2
10	00291-00	CLEVIS, 1 DIA	1
11	00379-00-B	SLIP LINK, GRADER & LOADER PL, 1/2 G40.21 44W	2
12	00693-00	CLEVIS, 1/2 DIA	2
13	02082-00	SPRING, 4.500 OD X .500 WIRE, 24.75 COILS, ENDS BY DRAWING	6
14	07932-00	SPHERICAL PLAIN BEARING 1.5 ID X 2.4375 OD	4
15	104240-42	CHAIN/1/2/GR 70 CHAIN/1/2/GR 70	2
16	105512-00	RUBBER DEFLECTOR 1/2 X 16 X 142	1
17	111619-00	CB, 5/8 UNC X 3 GR8	30
18	113370-00	SPACER PIPE, 1/2 SCH 40x.109 WALL	2

Pos	SKU	Description	Qty
19	113541-00	LOCK COLLAR MT, 3-1/2 OD X 2-1/4 ID	1
20	11472-00	FLATWASHER, 5/8",HARDENED	8
21	11503-00	LOCKNUT, 5/16 UNC GR2 NYL	15
22	11504-00	LOCKNUT, 3/8 UNC GR2 NYL	4
23	11508-00	LOCKNUT, 3/4 UNC GR2 NYL	1
24	11538-00	HCS, 5/16 UNC X 1-3/4 GR5	15
25	11547-00	NUT, 5/8 UNC GR8	30
26	11553-00	HCS, 3/8 UNC X 2 GR5	4
27	11612-00	HCS, 3/4 UNC X 4-1/2 GR5	1
28	167180-00	LOCKWASHER, 5/8" NORD-LOCK 0129514	30
29	178311-00	KEEPER FOR DEFLECTOR PL, 1/4 G40.21 44W	1
30	19889-00	FLATWASHER, 3/8",HARDN'D 100 B PLEASE CHECK	4
31	29629-00	LOCKNUT, 5/8 UNC GR8 STOVER	4
32	38402-00	HCS, 5/8 UNC X 3-1/2 GR8	4
33	41269-00-B	CUTTING EDGE, 3/4 X 8 X PL, 3/4 100	2

ID	Part Number	Description	Qty
1	11183-00	AD/PLUG/12ORBM	2
2	11195-00	AD/STR/12ORBM X 12JIC37M	2
3	11199-00	AD/90/08JIC37M X 08ORBM	2
4	11208-00	AD/45/08ORBM X 08JIC37M	2
5	11217-00	AD/90/12JIC37M X 12JIC37SF	2
6	11493-00	FLATWASHER, 5/16"	2
7	11503-00	LOCKNUT, 5/16 UNC/NYL/100B/GR2	2
8	11541-00	HCS, 5/16" UNC X 3", GR 5	2
9	21645-00	CUSHION VALVE 1800psi	1
10	26220-00	AD/BRTEE/12JIC37M X 12JIC37SF	2
11	11135-0262	HOSE ASSY, 1/2 X 040 HYD	2
12	11135-0682	HOSE ASSY, 1/2 X 021 HYD	2



---

Pos	SKU	Description	Qty
1	11183-00	AD/PLUG/12ORBM 87545	2
2	11195-00	AD/STR/12ORBM X 12JIC37M 86902	2
3	11199-00	AD/90/08JIC37M X 08ORBM 08MB-08MJ90	2
4	11208-00	AD/45/08ORBM X 08JIC37M 86915	2
5	11217-00	AD/90/12JIC37M X 12JIC37SF GATES = 87485	2
6	11493-00	FLATWASHER, 5/16"	2
7	11493-00	FLATWASHER, 5/16"	2
8	11541-00	HCS, 5/16 UNC X 3 GR5	2
9	21645-00	CUSHION VALVE 1800psi SAE 12 PORTS	1
10	26220-00	AD/BRTEE/12JIC37M X 12JIC37SF 87593	2
11	11135-0262	HOSE ASSY, 1/2 X 040 HYD G25170-0808 - G25170-0812	2
12	11135-0682	HOSE ASSY, 1/2 X 021 HYD G25170-0808 - G25170-0812	2

---